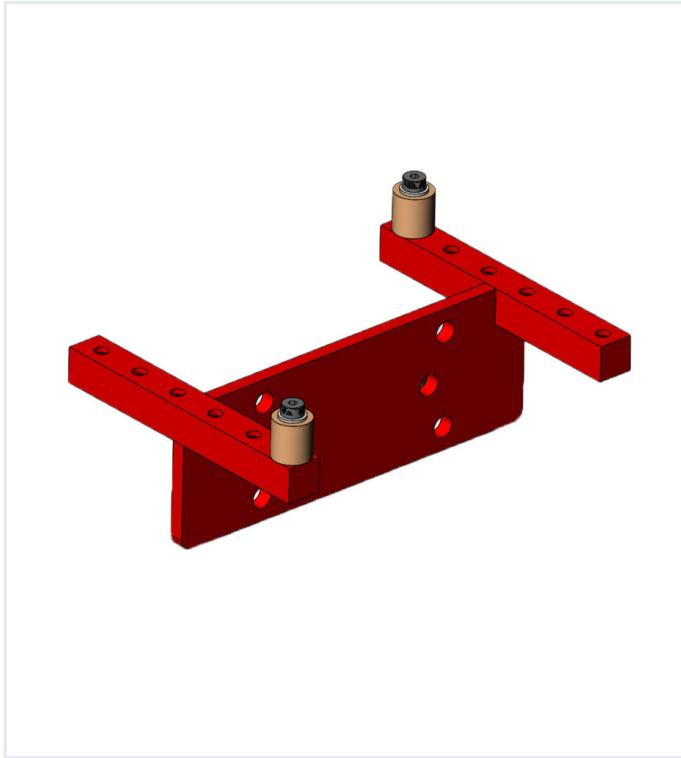


# LIFT WITH EASE

Efficient and ergonomic  
material handling





Item No.: 95-10274



## Rotostop

Weight (kg)

7.1



Roto-Stop prevents unwanted movements of the inner FlexiCrane arm. The angle can be limited within  $\pm 63$  degrees up to  $\pm 130$  degrees and is adjustable in 12 different positions. Fits FlexiCrane 2 meters.



## CONTACT US

### USA

Lifts All Inc.  
728 William Blount Dr,  
Maryville, TN 37801  
USA  
E-mail: [info@liftsall.us](mailto:info@liftsall.us)  
Telephone: +1 865-324-2014  
Website: [liftsall.com](http://liftsall.com)

### HEAD OFFICE WORLDWIDE

Lifts All AB  
Passadvägen 10  
176 67 Järfälla  
Sverige  
E-mail: [lifting@liftsall.se](mailto:lifting@liftsall.se)  
Telephone: 08-754 90 15  
Website: [liftsall.com](http://liftsall.com)