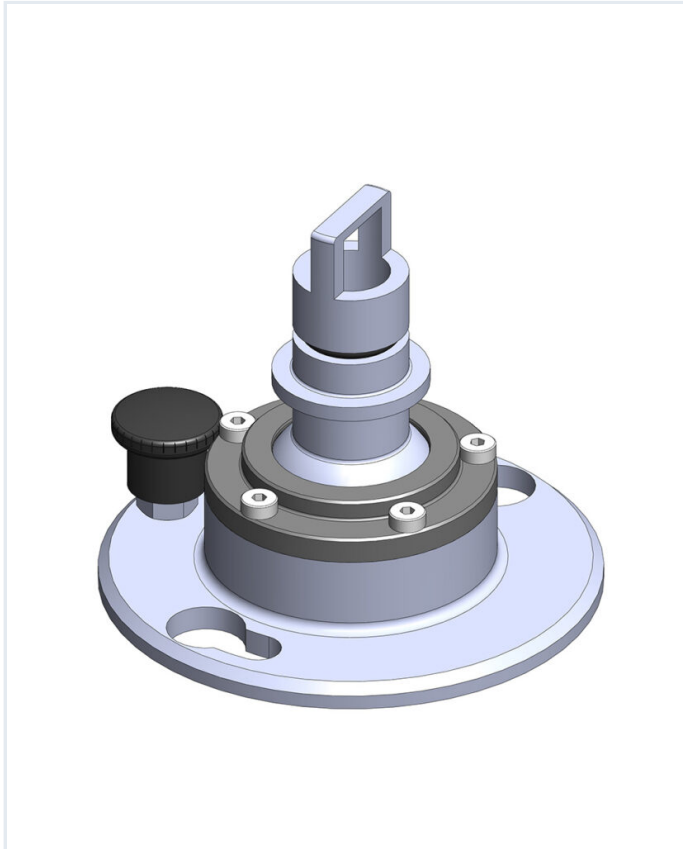


LIFT WITH EASE

Efficient and ergonomic
material handling





Item No.: 93-10012

Ball joint (Rotating + adjustable angle)



Weight (kg)

0.4

Swivel ball joint for loads where the weight is unevenly distributed or where the gripping surface is uneven. Allows the vacuum base and load to tilt 15 degrees and rotate indefinitely. Easy to replace.



CONTACT US

USA

Lifts All Inc.
728 William Blount Dr,
Maryville, TN 37801
USA
E-mail: info@liftsall.us
Telephone: +1 865-324-2014
Website: liftsall.com

HEAD OFFICE WORLDWIDE

Lifts All AB
Passadvägen 10
176 67 Järfälla
Sverige
E-mail: lifting@liftsall.se
Telephone: 08-754 90 15
Website: liftsall.com