

LIFT WITH EASE

Efficient and ergonomic
material handling



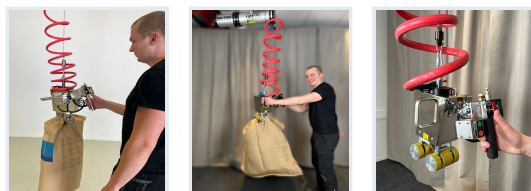


Item No.: 92-10067

Mechanical sack gripper SS Base unit, 100 kg



Weight (kg)	11
Gripping technique	Mechanical
Maximum capacity (kg)	75
Type of lifting object	sack
Optional control	PSH
Height (mm)	406
Configuration height (mm)	-388
Other characteristics	Stainless steel (SS)



Mechanical Sack Gripper perfect for porous sacks

We recommend our easy-to-use Mechanical Sack Gripper for upright, porous sacks that weigh up to 75 kg. It can for example lift mail bags, gunny bags and laundry bags. This nifty gripper swiftly and securely grips the sack, and is ready for effortless moving to its intended destination. The sack lifting tool also comes in stainless steel for hygienic environments.

If you need to lift airtight bags, such as concrete bags, plaster bags or soil bags, we recommend our [Vacuum Sack Gripper](#).

Quick and easy lifting

The Mechanical Sack Gripper has a proportional speed-control handle – you control the up and down movements of the gripper with the two levers. Press lightly for gradual movements, and press the lever a little more to increase speed. We especially recommend this control option when the loads vary in weight.

The lifting tool's gripping rolls are made from rubber so they do not damage the sacks and no marks are left behind on the bags. To use, simply place the gripper on the sack and press the green button. The gripping rolls will clamp down and secure the sack. The sack can now be easily lifted and moved to the desired location.

Stainless steel Sack Gripper for cleanroom environments

Does your industry have specific cleanliness requirements? The mechanical sack gripper is also available in stainless-steel (SS) for clean room environments. This version is constructed to meet strict hygiene demands. The stainless-steel gripper is easy to clean and designed to avoid particle buildup. It is available in a version with covered buttons, and without rubbered wheels. This means ergonomic equipment that lifts bags securely - without compromising safety.

Grip wheels for various objects

We equip the bag lift with gripping wheels for various types of objects:

Further information



[Aluminum grip wheel - single](#)

Single-mounted aluminum grip wheels.



[Aluminum grip wheel - double](#)

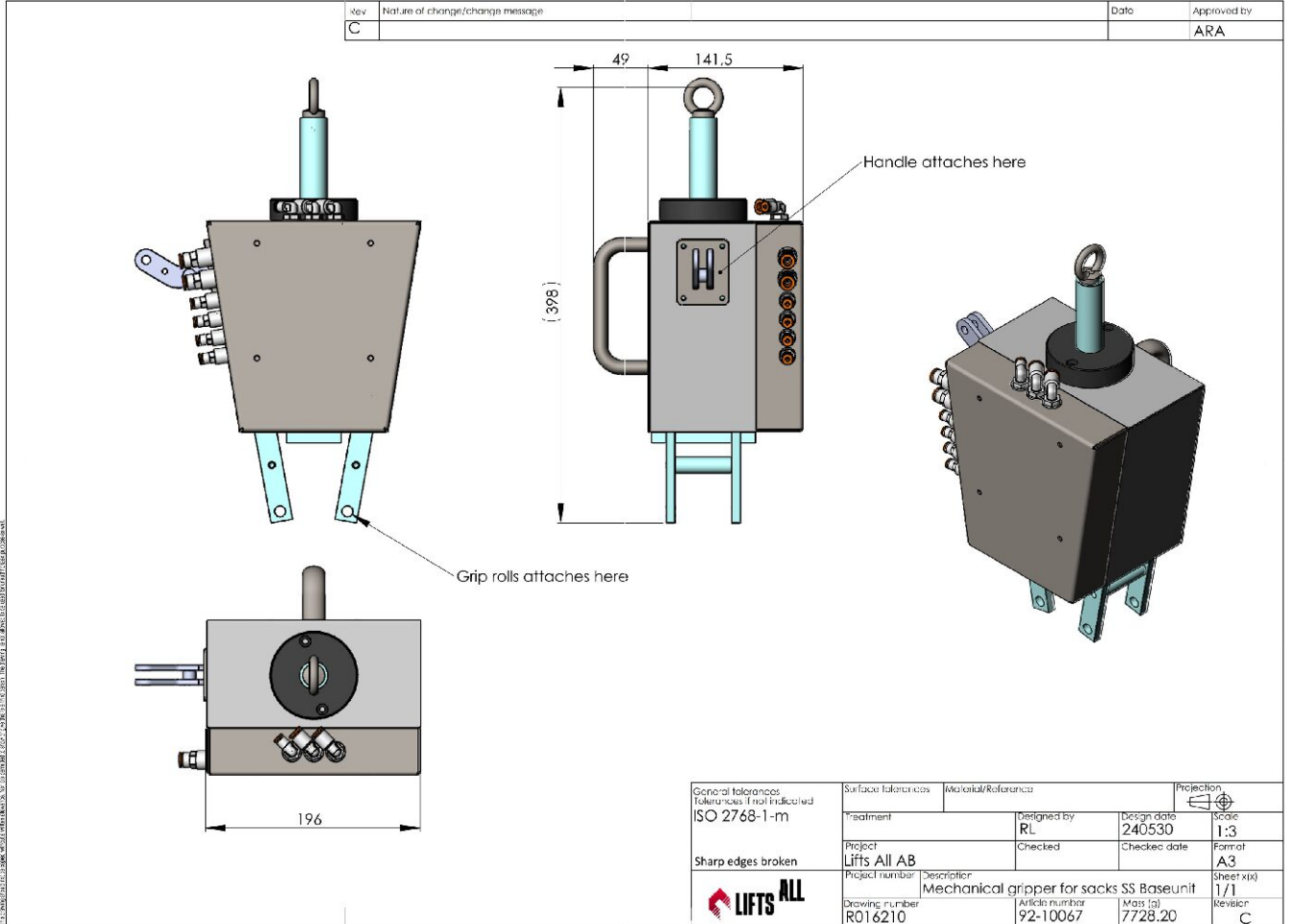
Double-mounted aluminum grip wheels.



[Natural rubber traction wheel](#)

Natural rubber grip wheels. These are also available as single units.

Drawings





CONTACT US

USA

Lifts All Inc.
728 William Blount Dr,
Maryville, TN 37801
USA
E-mail: info@liftsall.us
Telephone: +1 865-324-2014
Website: liftsall.com

HEAD OFFICE WORLDWIDE

Lifts All AB
Passadvägen 10
176 67 Järfälla
Sverige
E-mail: lifting@liftsall.se
Telephone: 08-754 90 15
Website: liftsall.com