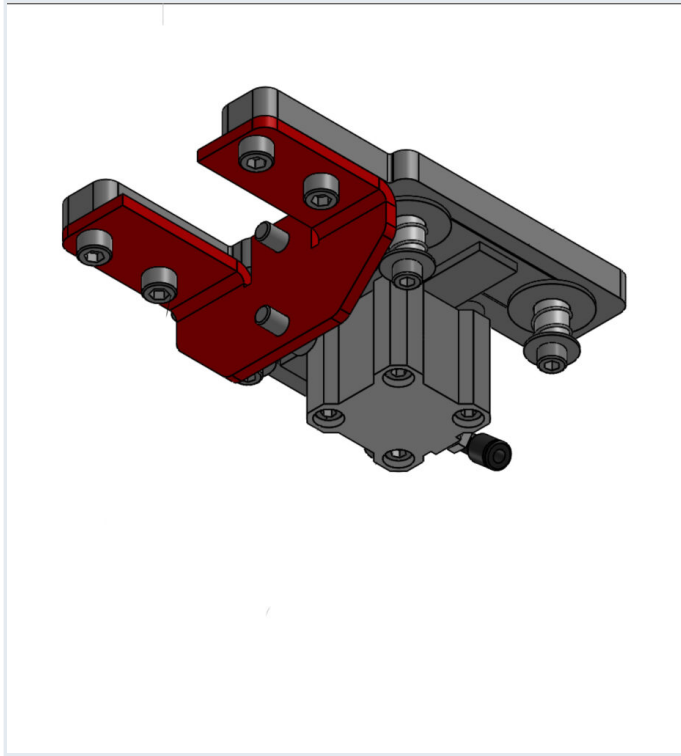


LIFT WITH EASE

Efficient and ergonomic
material handling





Item No.: 60-10540

Brake for trolley tracks 94-10115



Weight (kg)

1

Brake to be mounted on trolley 94-10115. Excluding hose and control buttons. Fits FlexiCrane, e-CLS and e-CUS.



CONTACT US

USA

Lifts All Inc.
728 William Blount Dr,
Maryville, TN 37801
USA
E-mail: info@liftsall.us
Telephone: +1 865-324-2014
Website: liftsall.com

HEAD OFFICE WORLDWIDE

Lifts All AB
Passadvägen 10
176 67 Järfälla
Sverige
E-mail: lifting@liftsall.se
Telephone: 08-754 90 15
Website: liftsall.com